

..... 2

2

2

2

- 6000mm
- 400kg
- 0%

220-240 AC/V

50/60 Hz

-20--+50

IP34

800 N

240 N

0.65 A

120 W

200 mm/s

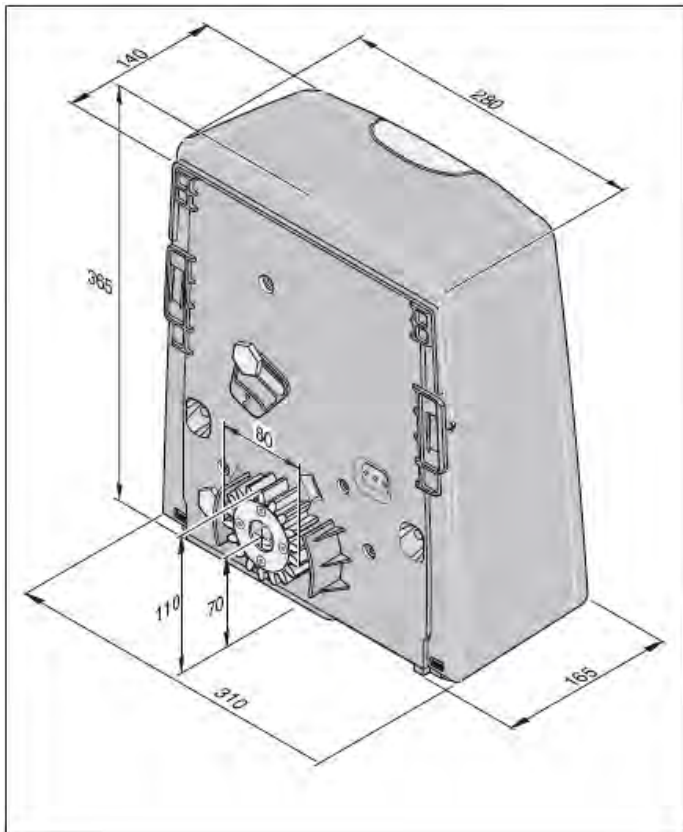
2 W

6 kg

40%

<75dBA-

mm



SOMMER
 (SOMMER Antriebs-und Funktechnik GmbH
 Hans-Boeckler-Strasse 21-27
 D-73230 Kirchheim/Teck

- gator 400

- 98/37/EU

- 73/23/EEC

- 89/336/EEC

-EN60335-1,EN60335-2-103,DINVDE0801,
 EN12453,EN12445

-EN55014-1:09/2003,EN55014-2:08/2002,
 EN61000-3-2:12/2001

-EN61000-3-3:05/2002,EN61000-6-2:08/2002,
 EN61000-6-7:08/2002

Kirchheim, xx.xx.2005

Frank Sommer
 Managing Director

IEC364-4-41

IEC364-4-41



1035*350*270mm
12kg

- | | | | |
|----|----|----|---|
| 1. | | | 1 |
| 2. | | | 1 |
| 3. | | | 1 |
| 4. | | | 2 |
| 5. | | | 1 |
| 6. | 24 | 24 | 1 |
| 7. | 1m | | 4 |
| 8. | | | 2 |



400*355*225mm
6kg

- | | | | |
|----|--|--|---|
| 1. | | | 1 |
| 2. | | | 1 |
| 4. | | | 2 |
| 5. | | | 1 |
| 8. | | | 2 |

.		.
.		.
1.	DC 24V	.
2.		.
3.		.
	EN12453	.
4.		.
5.		.
6.	10M	.
7.	8.2kOhm,Fraba	.
8.		.
9.		.

1.6m

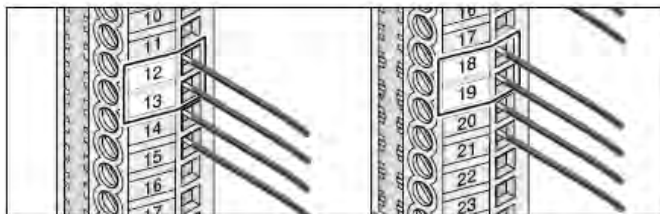
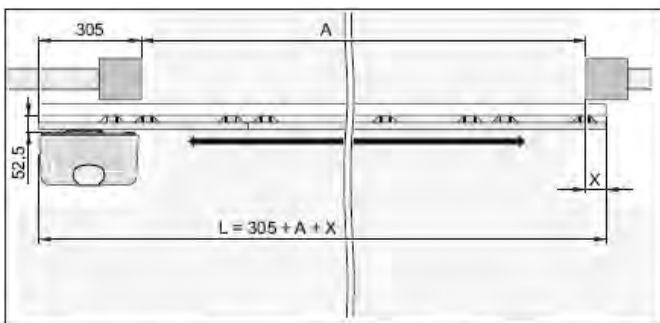
EN12604 EN12605



L=

A=

X=



12

13

18

19

" "

800mm

12

13

18

19

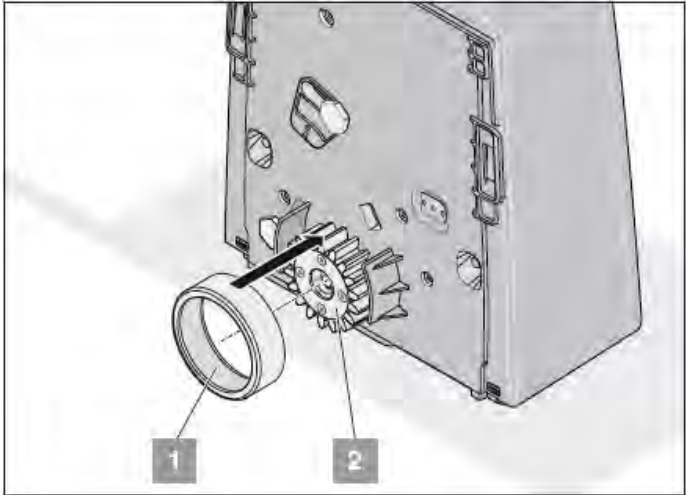
" "

" "

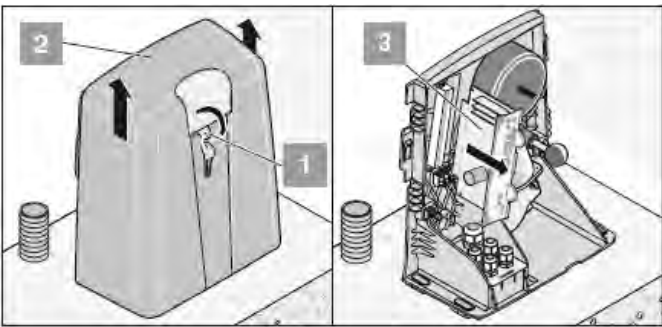
L=

A=

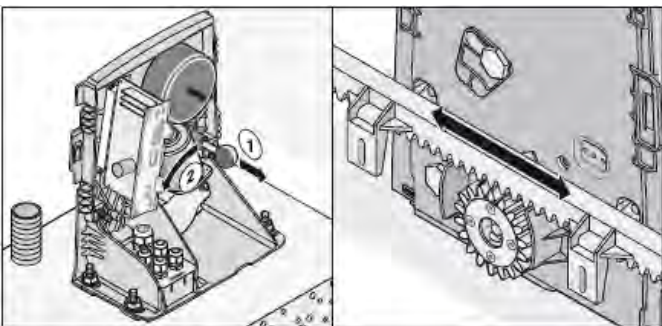
X=



1 2



1 90° 2
3



1 2

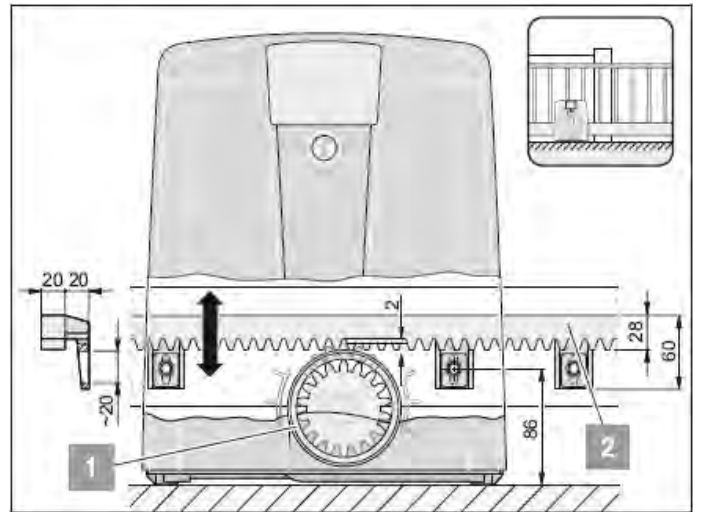




12mm



4 1m



2
1 2
2 1



2mm

2 1



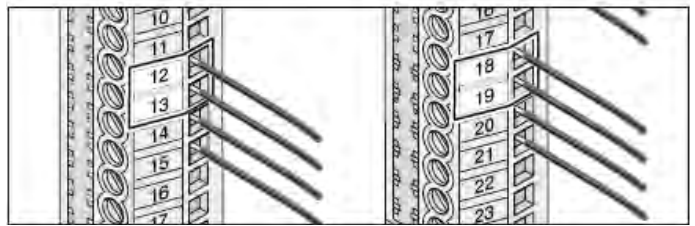
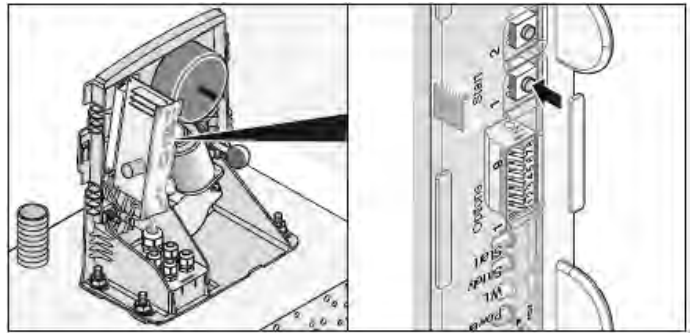
EN12453

1 90° 2
3

- 1. PE
- 2. L AC 230 Volt
- 3. N

1 11
12

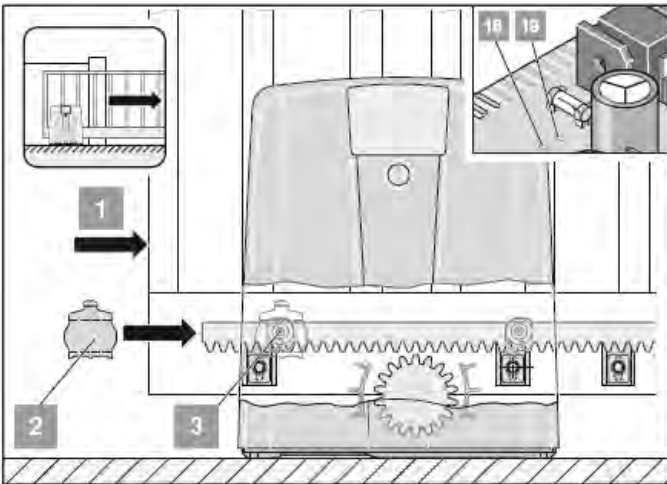
1 2
1



1 12+13
18+19()



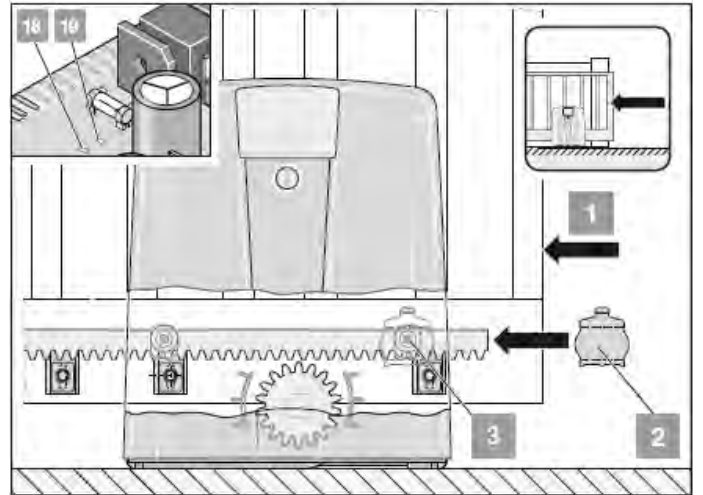
1 2



1
2 3 LED

LED19 - " "
LED18 - " "

2



1
2 3 LED

LED18 - " "
LED19 - " "

2

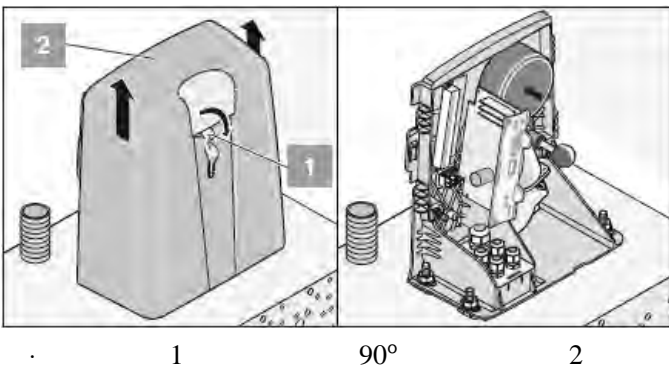


98/37/EG

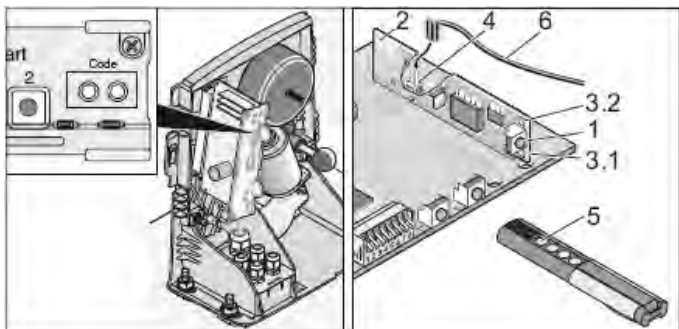
CE



" "



" "



1
 -5 LED 10 LED - 25
 LED
 1

" "

1
 -1 1 LED 3.1
 -2 2 LED 3.2

5

LED -

10

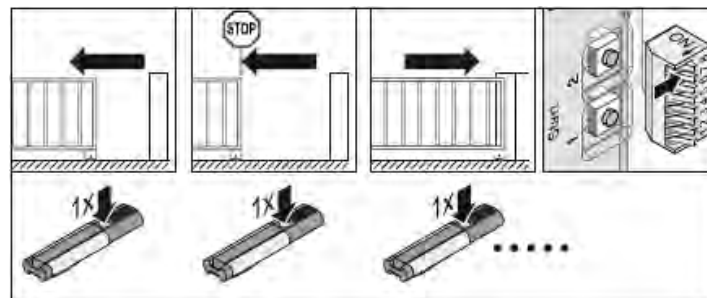
112

2

90

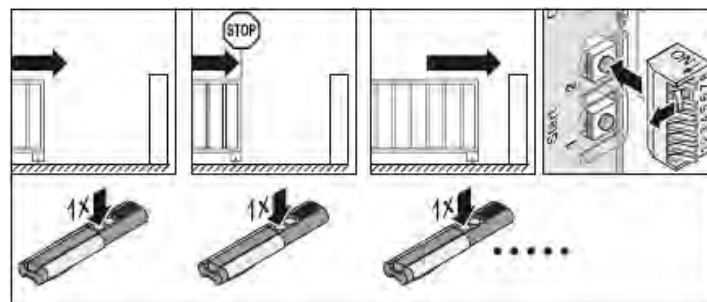
1
 DIP7

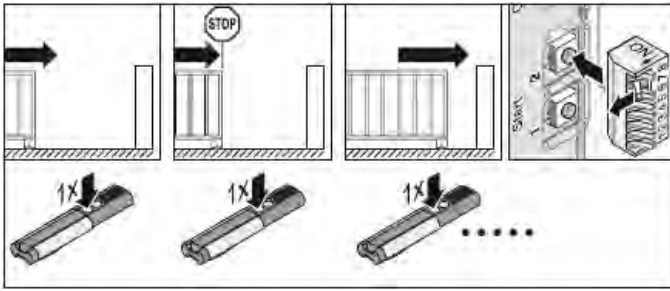
1
 DIP7



DIP7

DIP7

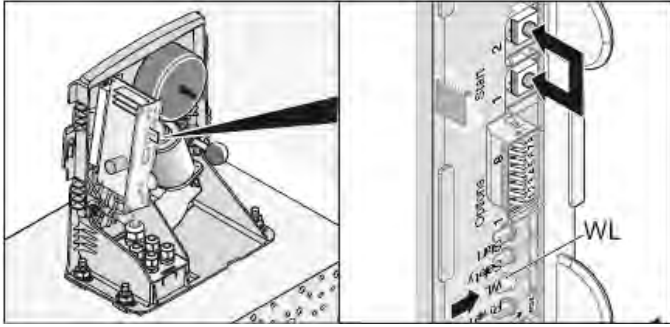




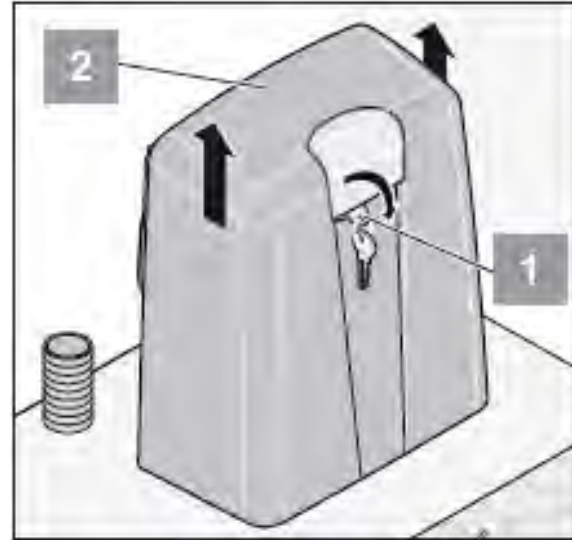
- DIP7
- 1 - - - -
- 2 - - - -

" "

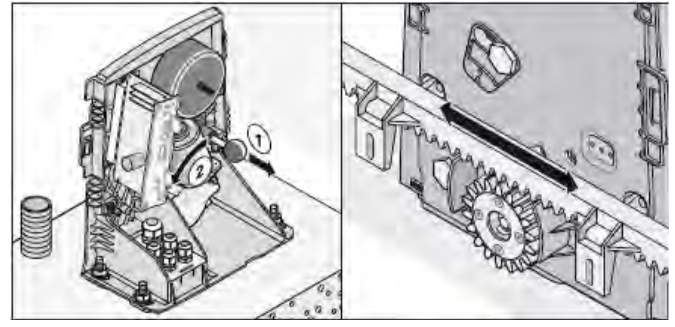
TorMinal



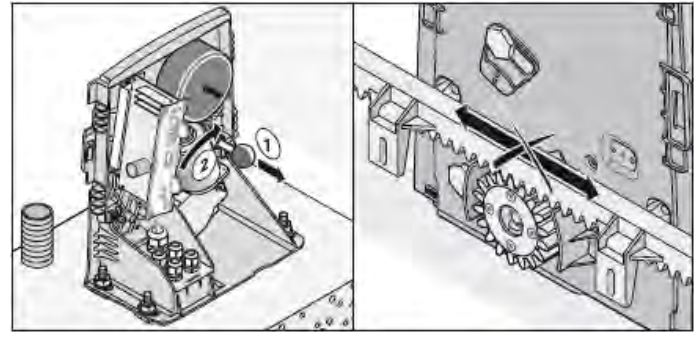
- WL - 1+2 " WL" 1+2



- 1 90 2



- 1 2



- 1 2



1

- -

3.

2

DIP

20

- -
- -

2

" "

1

2

1

/

2

/

TorMinal

1

2

1.

- -
- -

2.

1

DIP

- -

. DIP
 .
 1. 24
 2. 1 16+17
 4.
 5.
 6. 2 T2*
 7. 1 T1*
 8. DIP 1-8
 9. LED4*
 10. LED3*
 11. WL LED2*
 12. LED1*
 13. P2*
 14. TorMinal
 15. TorMinal
 16.
 17. 23+24
 18. LED " "
 " "

19. LED " "
 " "
DIP 1-8
i **DIP** **DIP**
 1 1 6+7
 OFF
 ON

 1 6+7
 8.2KOhm
 2 OFF
 ON 8.2KOhm

 1 6+7 2 8+9
 3 OFF
 ON

 2 5 1
 4 OFF
 ON

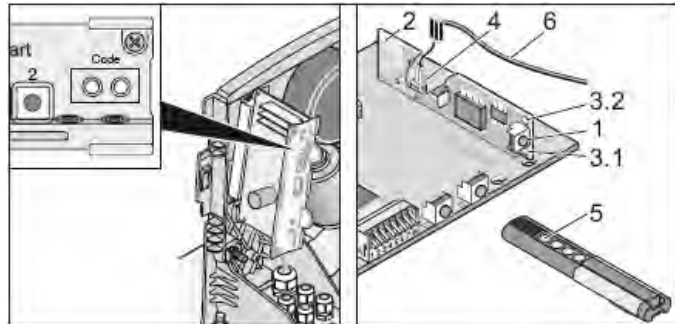
 16+17
 5 OFF 0
 ON 3 -

 Fraba
 6 OFF
 ON

 " "
 " "

7 OFF 1 2 -
 - - - -
 ON 1 - -
 2 - -

8 OFF
 ON
 - / 1= - - ...
 - / 2=
 DIP7 OFF



1

2



2 3.2

/

3 LED

3.1 1 LED

3.2 2 LED

4 4

5

6

. 1
 - 1 LED 3.1
 - 2 LED 3.2
 . 5

LED -
 . 10
 . 112



. 1 5 1 LED
 . 1
 . LED

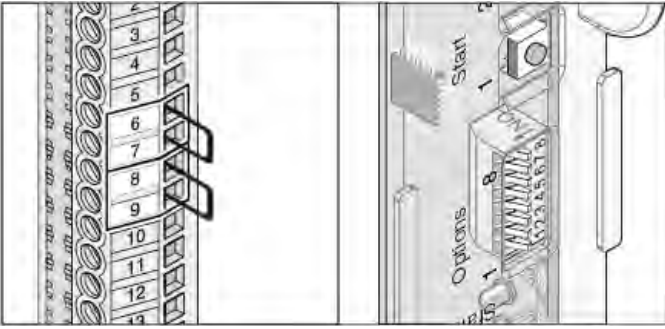
LED -

. 1
 - 1 LED 3.1
 - 2 LED 3.2
 -5 LED 10 LED
 . 1
 1 -



. 1
 -5 LED 10 LED
 -25 LED
 . 1
 1 -

DIP1 2+3



EN12453

2

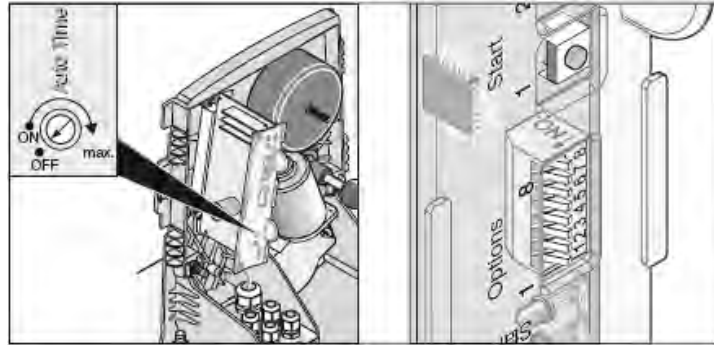


DIP8

1

- 1

16+17



1 6+7

DIP1

DIP1

OFF
ON

DIP2

1

6+7

OFF

ON 8.2kOhm()

2 8+9



- 1-120

-

1+2

DIP1

DIP3

1 DIP3
6+7

DIP3

OFF
ON

2 8+9

DIP3

OFF
ON

1

- 1-120
-DIP4 7+8 OFF
- DIP

2

+ DIP4



1 2 5

2 8+9

- 1-120
-DIP7+8 OFF
-DIP4 ON
- DIP

3

+ +



2 5
- 1 6+7
- 2 8+9

- 1-120
-DIP7+8 OFF
-DIP2 4 ON
- DIP

DIP5

16+17 3

DIP5

OFF
ON

Fraba

DIP6

Fraba

DIP6

OFF
ON

DIP7

/ 1 / 2
DIP8 OFF 2 2

DIP7

OFF
ON

DIP8

2

DIP8

OFF
ON

DIP7

1 2 4+5
2 2

2 1 2 2

1.
2. DIP8 ON

- DIP8

3. 2

- 2
4. 2

5. 2

2

DIP8

OFF

1

1 2 2

1 1 2+3

2 2 4+5

24



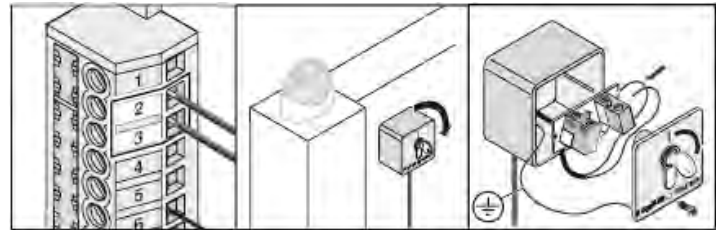
11+12

STA1

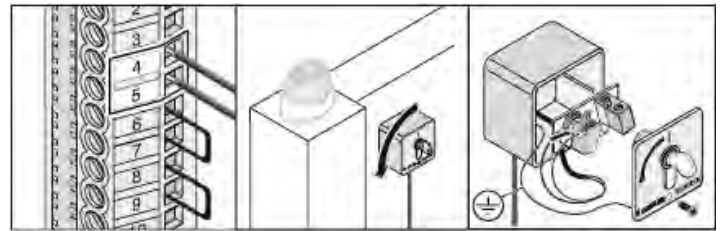
2.5mm²

	1.5mm ²		
	10m		
10+11 16+17 20+21			
	30m		
2+3 4+5 6+7 8+9	/	/	
1	40Mhz		
2+3	1		
4+5	2		
6+7	1	*	
8+9	2	*	
10+11	24V		
	0.1A		
12	*		
13	*		
14+15	24V		*
16+17		24V	
18		*	
19		*	
20	12V		0.1A
21		*	
		*	
		20	
22	-		
23+24		230V	
	5A		
*			

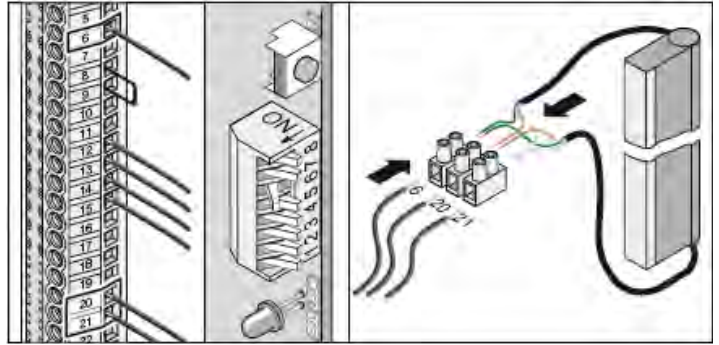
1 / PE
 2a 230V L
 3a N
 2b+3b 230V



1
2+3



2
4+5
2



6 Fraba
 20 Fraba
 21 Fraba

DIP6 ON

1
 6+7 DIP2 OFF **24V**

2
 8+9

10 24V 0.1A
 11

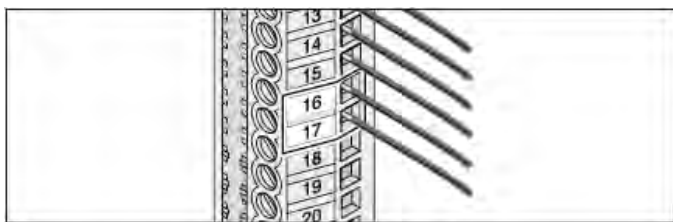


8.2kohm Fraba

8.2kOhm
 8.2kOhm

6+7 8.2kOhm
DIP2 ON

Fraba

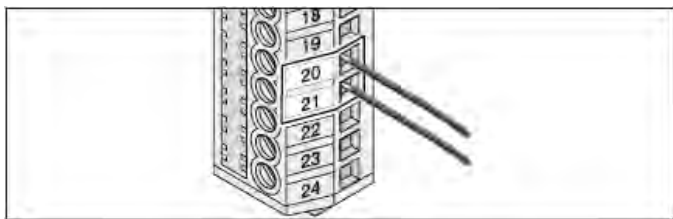


16+17 24V 34V 25W
 1A 1A

TorMinal

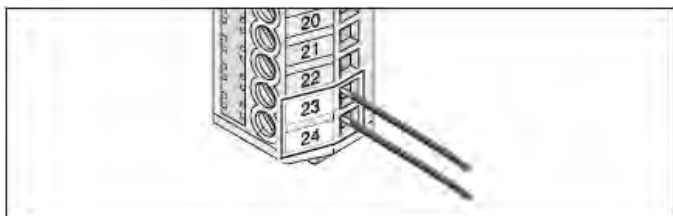
TorMinal

12V



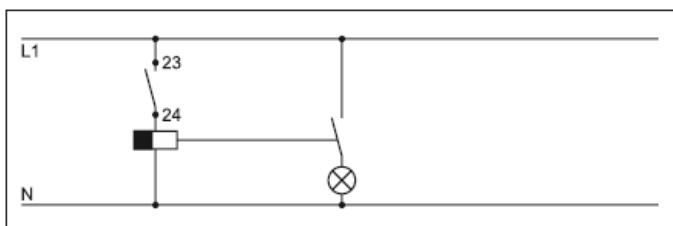
20 12V 0.1A
 21

TorMinal



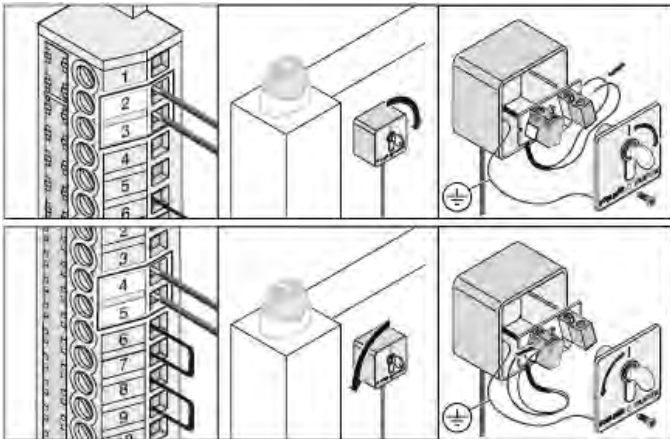
23+24 230V 5A

TorMinal



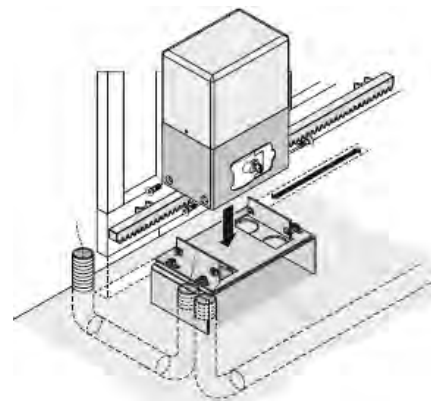
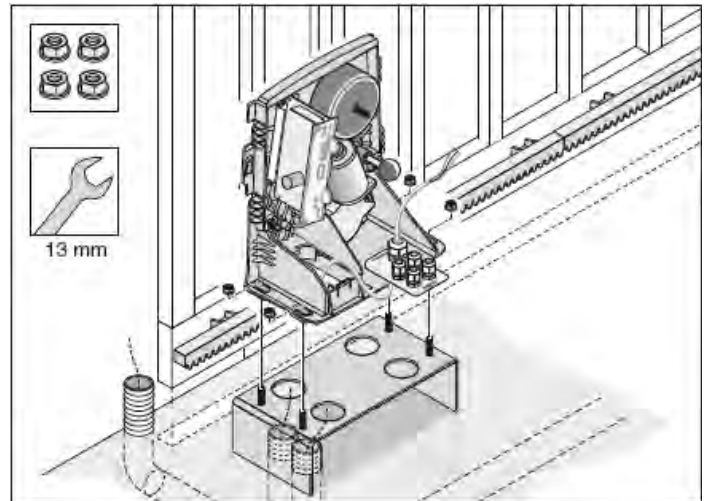
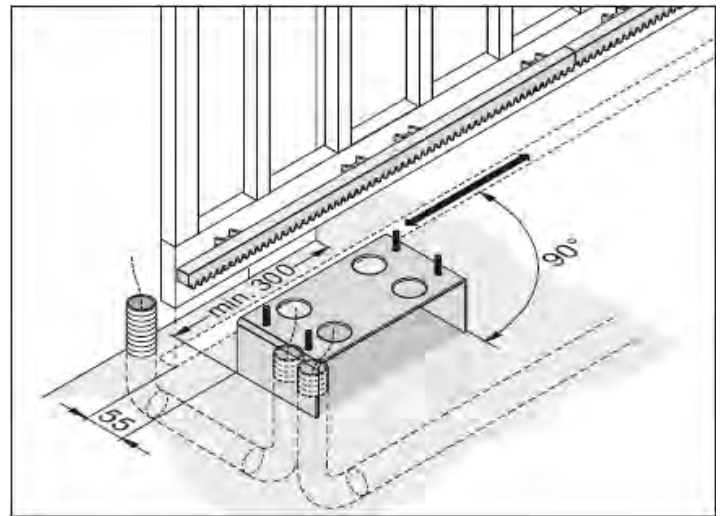
1.

2.



3.

4.



2

90

5.

7.

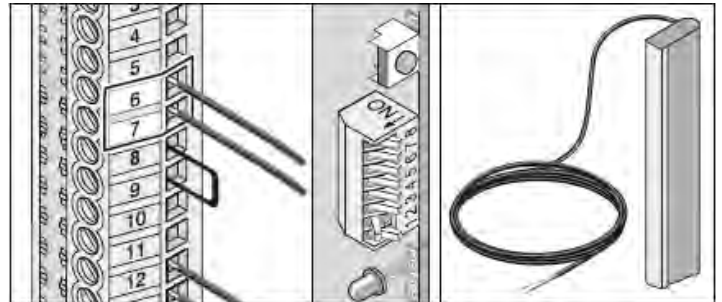


8.2kohm

Fraba

8.2kOhm

8.2kOhm

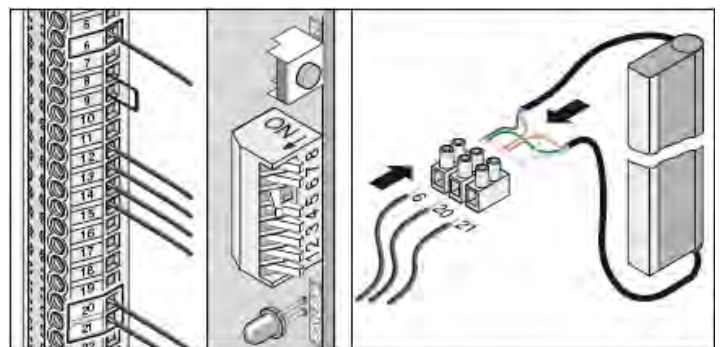


6+7 8.2kOhm

DIP2 ON

Fraba

6.



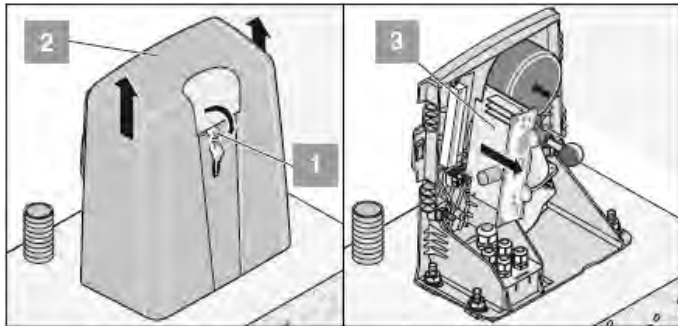
6 Fraba

20 Fraba

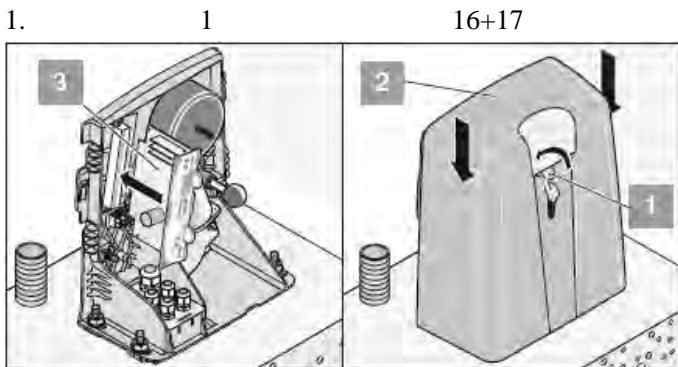
21 Fraba

DIP6 ON





1 90 2
3
1A



1. 1 16+17
3 2 3 90



" "

0049/7021/8001-403
or 0086/021/69153155
doku@sommer-torantriebe.de
or info@sommer-china.com.cn

SOMMER
Hans-Boeckler-Strasse 21-7
D-73230 Kirchheim unter Teck

1999/5/EC

R&TTE

RF

:RM04-868-2, RM03-868-4, RX01-868-2/4

RFSDT-868-1, RFSW-868-1, RM02-868-2,
RM06-868-2, RM04-868-1, RM02-868-2-TIGA,
RM08-868-2, RM01-868, RM02-434-2, RM03-434-4, RM04-434-2

-ETSI EN300220-1:09-2000,-3:09-2000

-ETSI EN301489-1:07-2004,-3:08-2002

-DIN EN60950-1:03-2003

Kirchheim, 04.08.2004

Frank Sommer
Managing Director



DIP

TorMinal

TorMi

LED" "

10cm		TorMinal TorMinal
	DIP1 ON	DIP1 OFF
	LED" "	
		TorMinal
LED" "	1 2	
	3.2 LED3.1	
LED	112	
LED3.1 3.2		
LED3.1 3.2		

